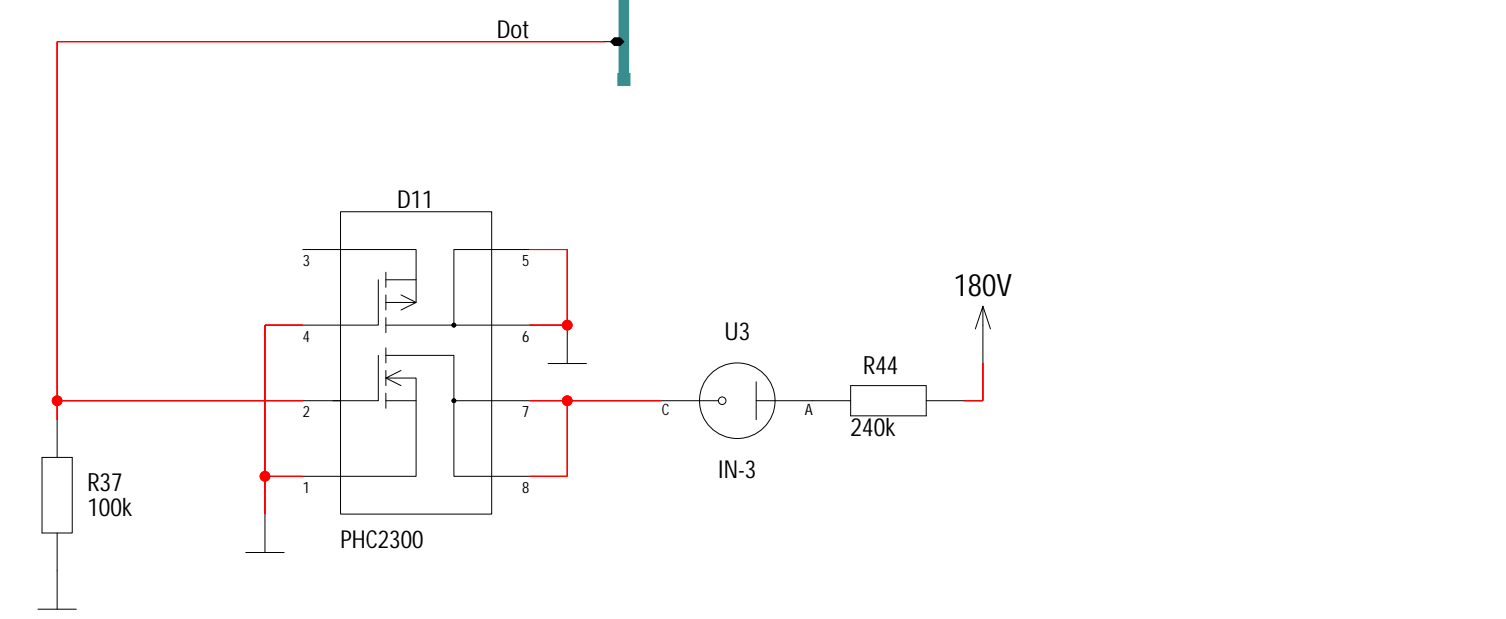
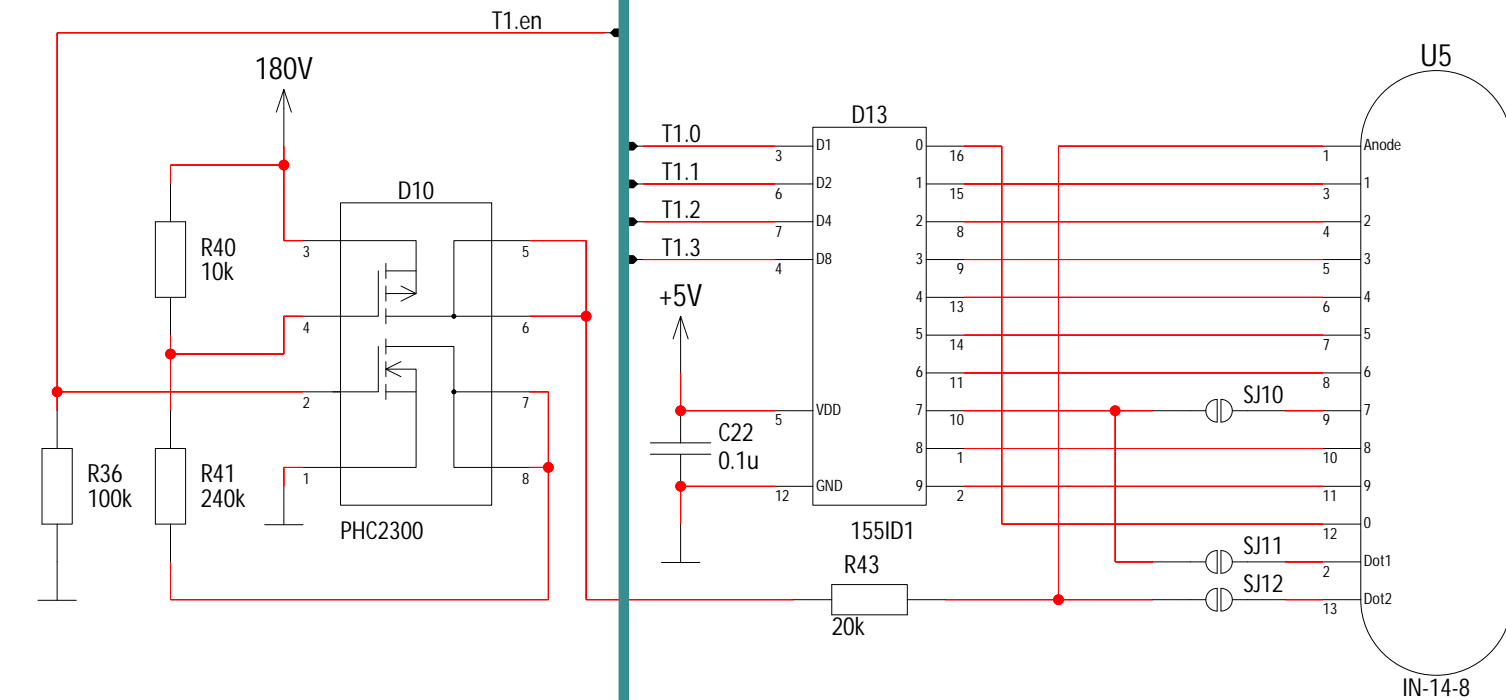
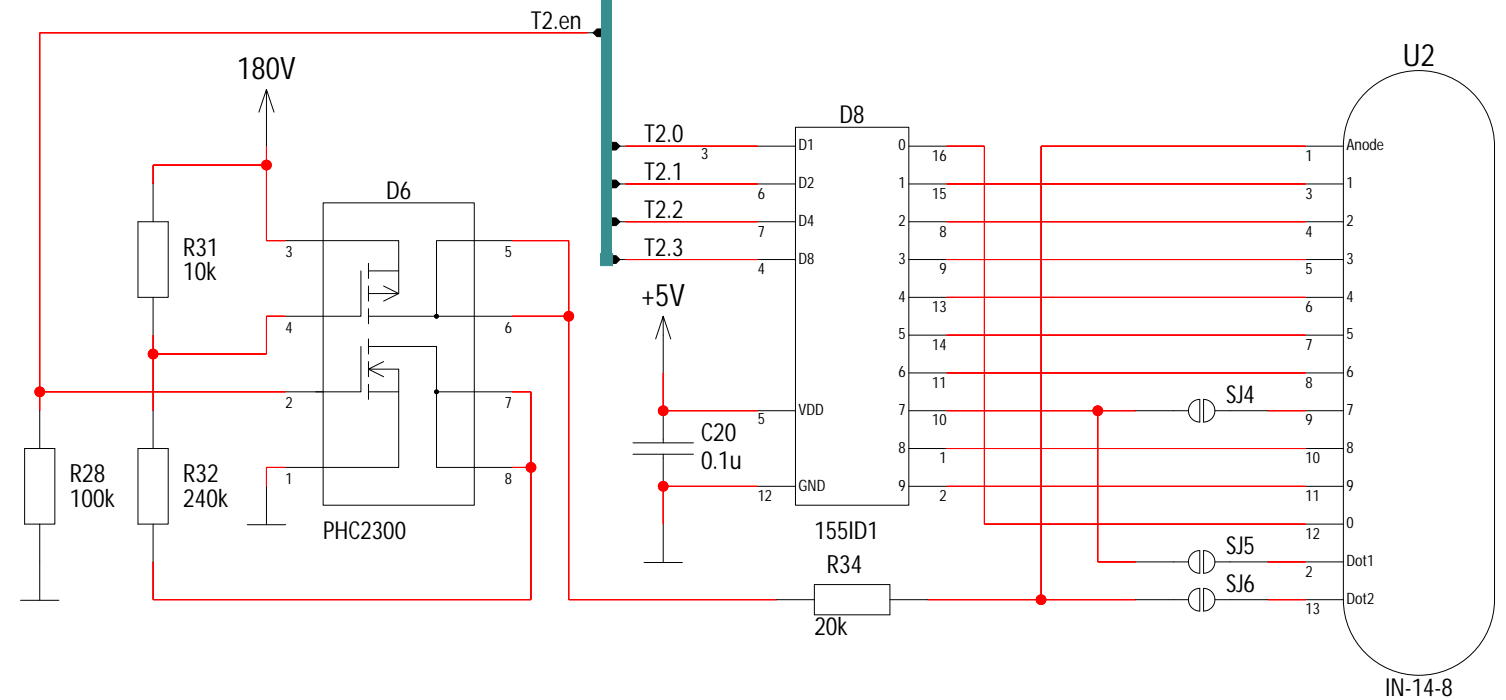
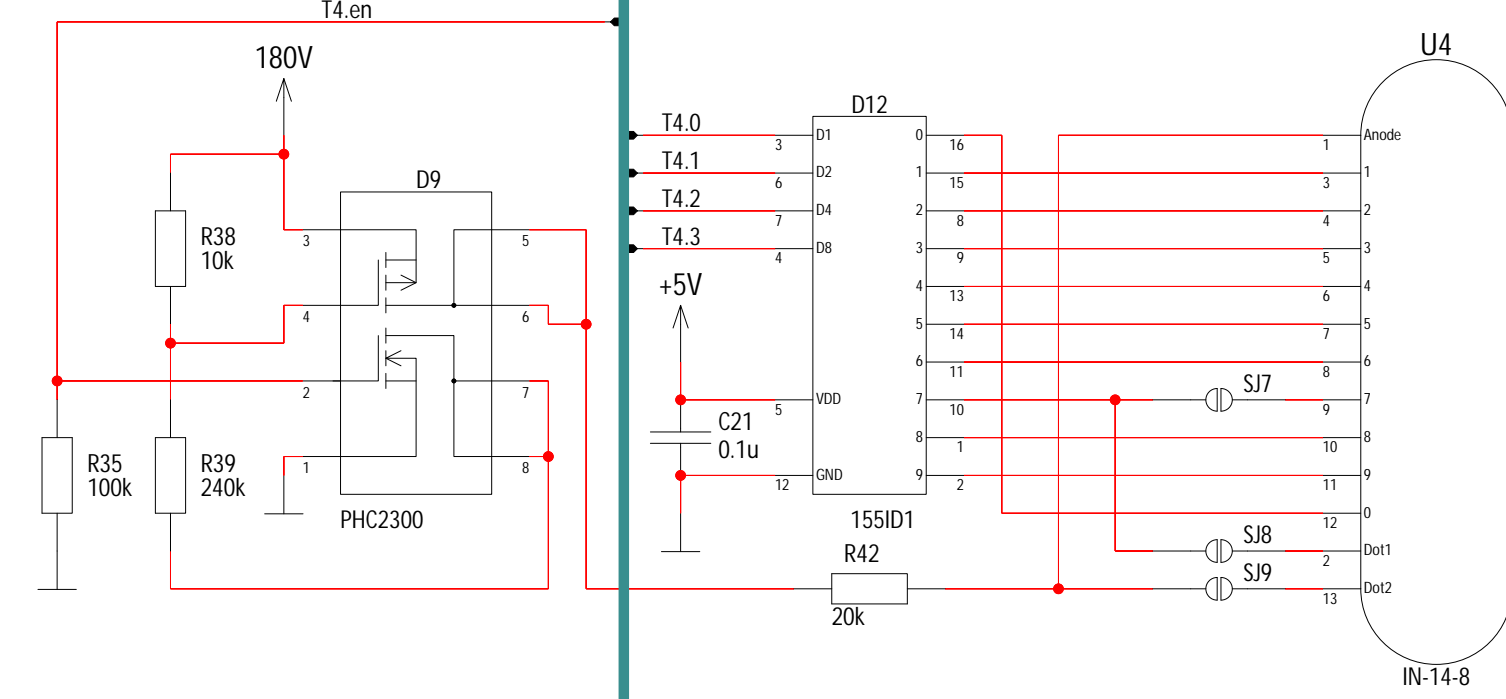
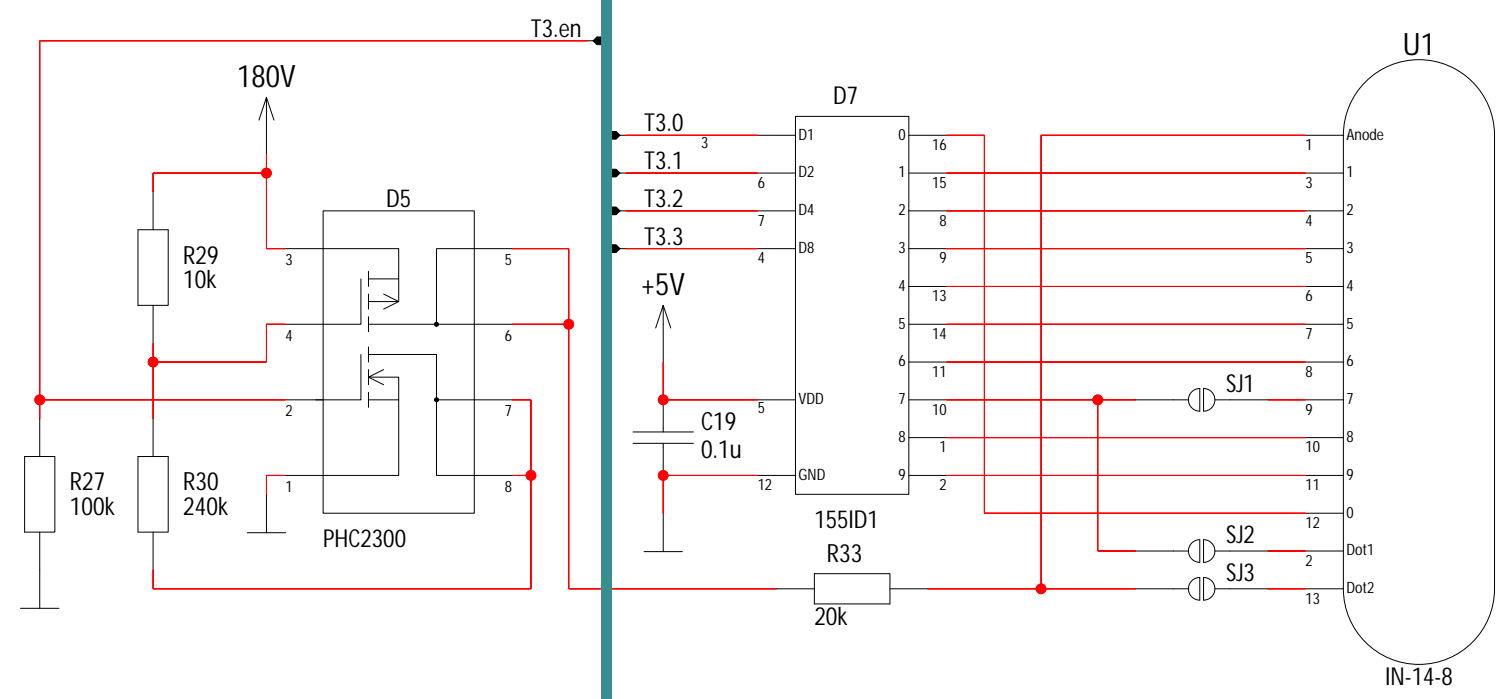


Nixieduino
revision 3

TUBE_DATA



	IN-14	IN-8-2
SJ1, SJ4, SJ7, SJ10	short	open
SJ2, SJ5, SJ8, SJ11	open	short
SJ6, SJ9, SJ12	open	short

